



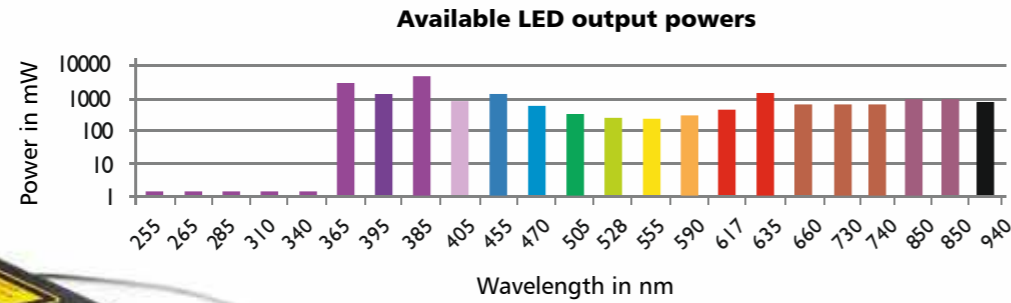
Omicron-Laserage Laserprodukte GmbH

Lasers, Lightengines and for LED lightsources Life Science and Bio-Instrumentation



LED Light Sources

- High power LED light sources for microscopy and fluorescence excitation
- Free space or fibre coupled emission
- 255nm - 940nm
- Output powers up to 3200mW



Diode Lasers

- High performance diode lasers
- High stability CW operation or fast modulation up to 500MHz
- Picosecond pulsed diode lasers
- 375nm – 2090nm
- Single-mode output powers up to 1000mW
- Multi-mode output powers up to 10 Watt



SOLE® Light Engines

- Plug & play Laser Light Engines with up to 6 different wavelengths
- 1 or 2 single-mode or multi-mode fibre outputs
- fast fibre switch (<5ms)
- DPSS and diode lasers with fast direct modulation up to 250MHz
- 375nm - 2090nm
- Optical output powers up to 600mW per wavelength

Ask for installation service!

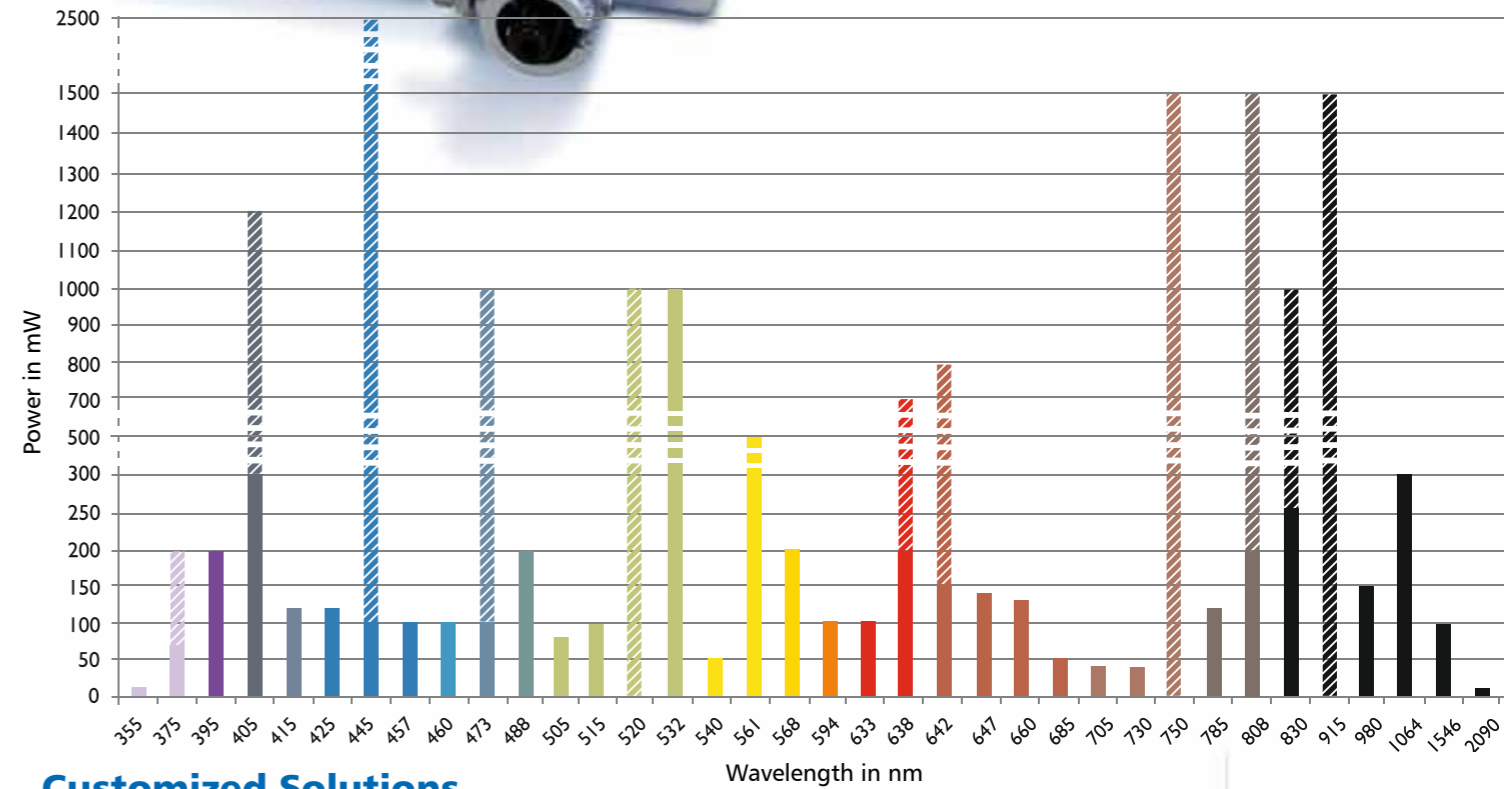
LightHUB® Laser Combiners

- Compact Laser Combiners for up to 2/4/6 wavelengths
- Single-mode fibre coupled output or free space emission
- DPSS and diode lasers with fast direct modulation up to 250MHz
- 355nm - 2090nm
- Optical output powers up to 2500mW per wavelength
- Field-upgradable



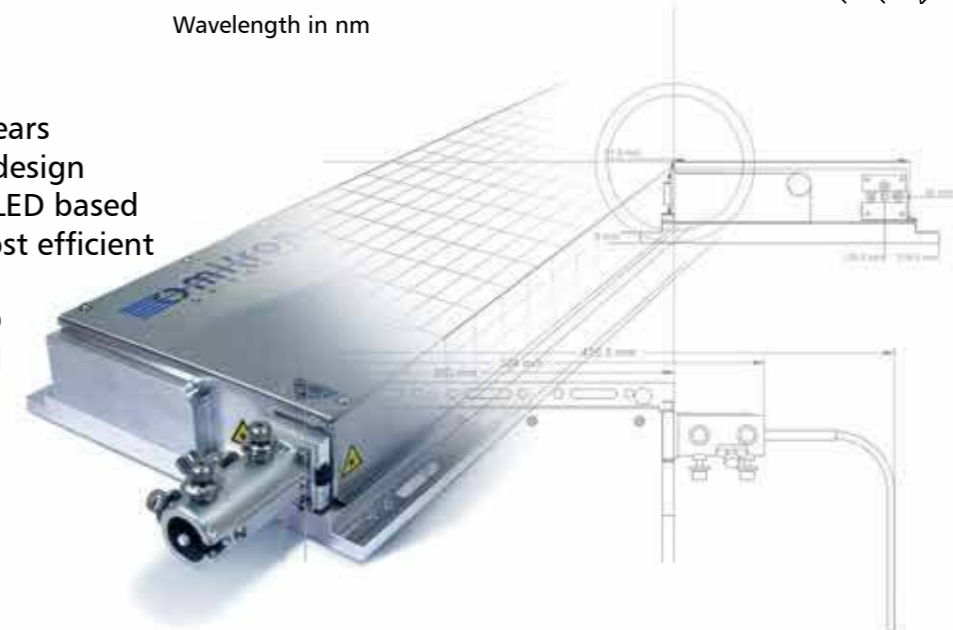
Available laser output powers

■ SM ■ MM



Customized Solutions

Omicron has more than 25 years of experience in customized design and production of laser and LED based light sources. Our fast and cost efficient customization services are a fundamental part of our R&D department which is certified by ISO 9001:2008 & ISO 13485.

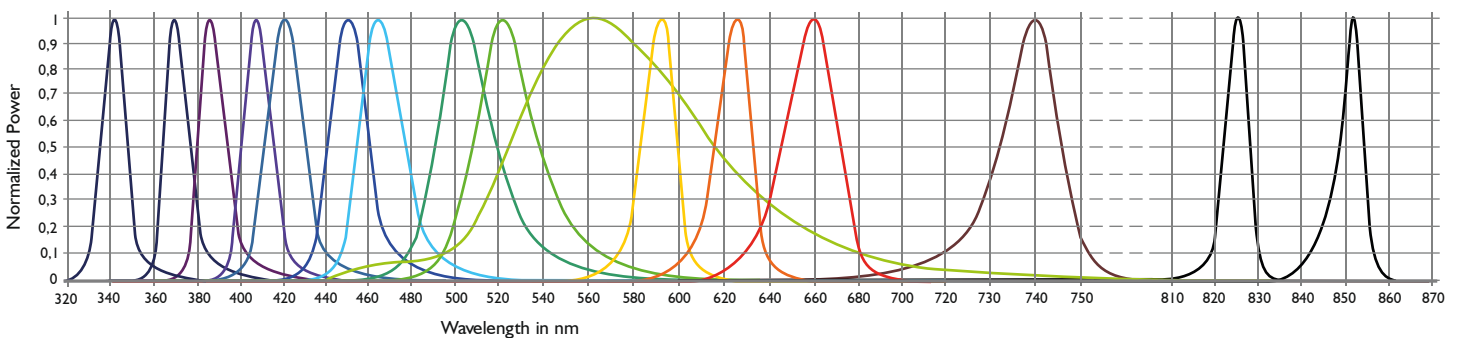


**If you can imagine it,
we can build it!**

LedHUB® - High Power LED Light Engine



- Modular principle for up to 6 wavelengths between 340 and 940nm
- Field-upgradable
- Individual analogue and digital modulation inputs
- Precise intensity control in 0.1% steps (0-100%)
- Intelligent SYNC in- and outputs
- TEC temperature controlled LED chips
- Compatible to 2, 3 and 5mm Liquid Light Guides and SMA or FC/PC connectorized fibres
- Long lifetime – 3 years warranty
- Exchangeable bandpass filters



Omicron-Laserage Laserprodukte GmbH
Raiffeisenstrasse 5e, 63110 Rodgau, Germany

Tel.: +49-61 06 82 24-0
Fax: +49-61 06 82 24-10

mail@omicron-laser.de
www.omicron-laser.de

